

## X-VERT EXPERT



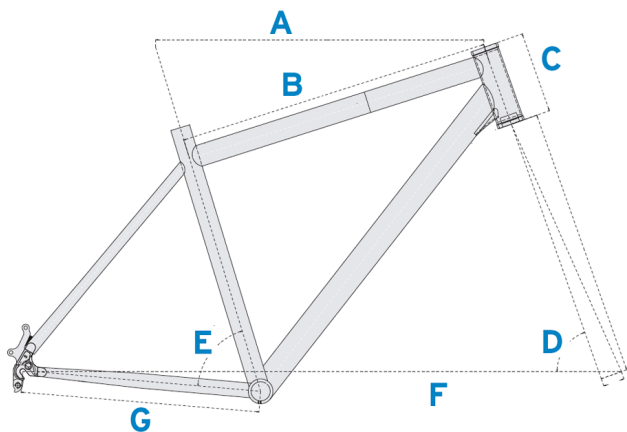
### Highlights

> Frame weight is optimised for each category > Sturdy look due to thick top and bottom tubes > Generously dimensioned top tube for more stiffness > Low Profile Chainstay prevents chain from hitting the frame, guarantees constant drive > Bike and frame design logically and systematically developed right down to the tiniest detail

### Component

	BK 12021
Frame	Ultra Light Tubing Powershape Technology Alloy 7005
Fork	RockShox Dart 2 100mm, Turnkey Lockout
Rear Derailleurs	Shimano XT Shadow
Front Derailleurs	Shimano Deore Topswing
Shifter	Shimano Deore
Brake Lever	Shimano 486
Brakes	Shimano 486
Bottom Bracket	Shimano 442 Octalink, 175, 44-32-22
Inner Bearing	Tange Seiki
Pedals	corrateg MTB
Cassette Sprocket	Shimano CSHG50
Chain	Shimano CSHG53
Hub	zzyzx 32 disc
Rim	zzyzx DH18
Tires	Continental Speedking 2.3
Tubes	corrateg
Spokes	DT Champion 1.8, si
Headset	Tange Seike ZSTE
Stem	zzyzx 601, 15°
Handlebar	zzyzx 027, Riser, 6°, 620
Grips	corrateg Rubber Man
Seat Post	zzyzx 150N, 30.8
Saddle	corrateg 2902
Seat Clamp	zzyzx

### Geometry



Frameheight (cm)	39	44	49	54
A Top Tube Horizontal (mm)	550	565	585	609
B Top Tube Real (mm)	536	544	561	584
C Steering Tube (mm)	115	130	145	165
D Steering Tube Angle (°)	71.0	71.0	71.0	71.0
E Seat Tube Angle (°)	73.0	73.0	73.0	73.0
F Wheel Base (mm)	1025	1040	1060	1085
G Chain Stay (mm)	425	425	425	425

**corrateg**

IKO Sportartikel Handels GmbH  
Kufsteinerstrasse 72  
D-83064 Raubling

Phone +49 8035 87070  
Fax +49 8035 8208